

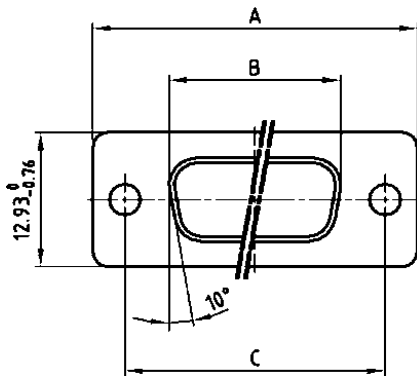
### MIXED LAYOUT D-SUB WITHOUT CONTACTS



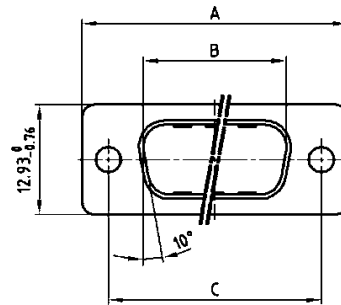
- Suitable for wire size AWG20
- Precision machined contacts
- Shell: Steel tin plated

Design	Mounting Style	Socket	Plug
3W3	Through-hole	3003W3SXX99A10X	3003W3PXX99A10X
5W5	Through-hole	3005W5SXX99A10X	3005W5PXX99A10X
8W8	Through-hole	3008W8SXX99A10X	3008W8PXX99A10X
2W2C	Through-hole (Coded)	302W2CSXX99A10X	302W2CPXX99A10X
3W3C	Through-hole (Coded)	303W3CSXX99A10X	303W3CPXX99A10X
3W3	Threaded insert	3003W3SXX99A30X	3003W3PXX99A30X
5W5	Threaded insert	3005W5SXX99A30X	3005W5PXX99A30X
8W8	Threaded insert	3008W8SXX99A30X	3008W8PXX99A30X
2W2C	Threaded insert (Coded)	302W2CSXX99A30X	302W2CPXX99A30X
3W3C	Threaded insert (Coded)	303W3CSXX99A30X	303W3CPXX99A30X

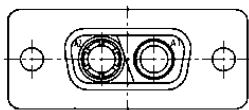
#### SOCKET CONNECTOR



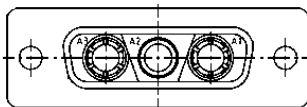
#### PLUG CONNECTOR



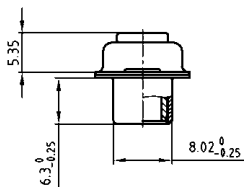
#### CODED SOCKET CONNECTORS



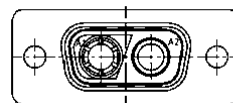
2W2C = 1 Socket - 1 Plug



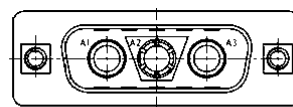
3W3C = 2 Sockets - 1 Plug



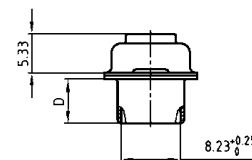
#### CODED PLUG CONNECTORS



2W2C = 1 Plug - 1 Socket



3W3C = 2 Plugs - 1 Socket



Shellsize	A	B	C
1	31,19	16,46	25,00
2	39,52	24,79	33,30
3	53,42	38,50	47,04
4	69,70	54,96	63,50

Shellsize	A	B	C	D
1	31,19	16,79	25,00	6,12
2	39,52	25,12	33,30	6,12
3	53,42	38,84	47,04	5,99
4	69,70	55,30	63,50	5,99

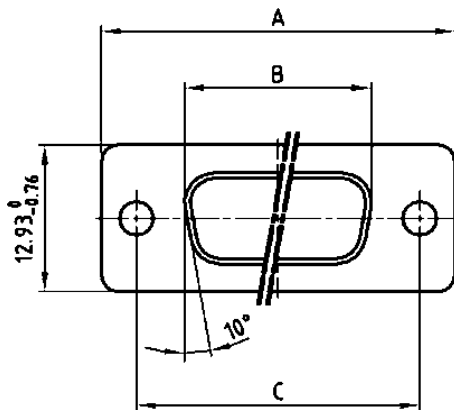
### MIXED LAYOUT D-SUB WITH SOLDER SIGNAL CONTACTS



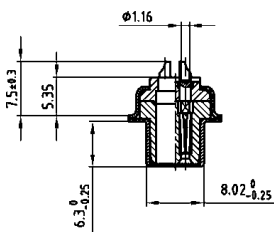
- Designs 2W2C, 3W3, 3W3C, 5W5, 8W8
- Mounting style, through hole

Design	Socket	Plug
5W1	3005W1SAM99A10X	3005W1PAM99A10X
7W2	3007W2SAM99A10X	3007W2PAM99A10X
11W1	3011W1SAM99A10X	3011W1PAM99A10X
9W4	3009W4SAM99A10X	3009W4PAM99A10X
13W3	3013W3SAM99A10X	3013W3PAM99A10X
17W2	3017W2SAM99A10X	3017W2PAM99A10X
21W1	3021W1SAM99A10X	3021W1PAM99A10X
13W6	3013W6SAM99A10X	3013W6PAM99A10X
17W5	3017W5SAM99A10X	3017W5PAM99A10X
21WA4	321WA4SAM99A10X	321WA4PAM99A10X
25W3	3025W3SAM99A10X	3025W3PAM99A10X
27W2	3027W2SAM99A10X	3027W2PAM99A10X
24W7	3024W7SAM99A10X	3024W7PAM99A10X
36W4	3036W4SAM99A10X	3036W4PAM99A10X
43W2	3043W2SAM99A10X	3043W2PAM99A10X
47W1	3047W1SAM99A10X	3047W1PAM99A10X

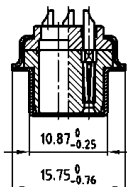
#### SOCKET CONNECTOR



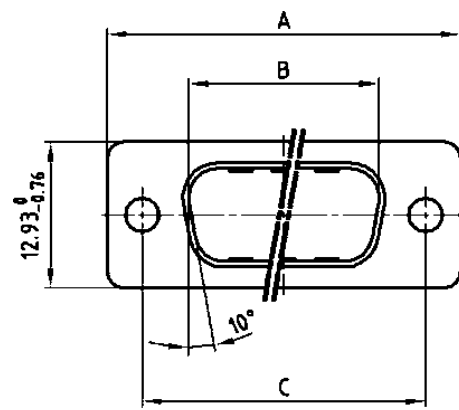
SHELL SIZE 1-4



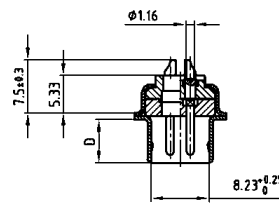
SHELL SIZE 5



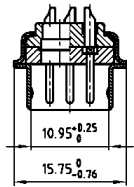
#### PLUG CONNECTOR



SHELL SIZE 1-4



SHELL SIZE 5



Shellsize	A	B	C
1	31,19	16,46	25,00
2	39,52	24,79	33,30
3	53,42	38,50	47,04
4	69,70	54,96	63,50
5	67,31	52,55	61,10

Shellsize	A	B	C	D
1	31,19	16,79	25,00	6,12
2	39,52	25,12	33,30	6,12
3	53,42	38,84	47,04	5,99
4	69,70	55,30	63,50	5,99
5	67,31	52,68	61,10	5,99

MIXED LAYOUT, HIGH POWER CONTACT, SOLDER, STRAIGHT



- Precision Machined Contacts
- Quality Class 3: 50 mating cycles
- Quality Class 1: 500 mating cycles

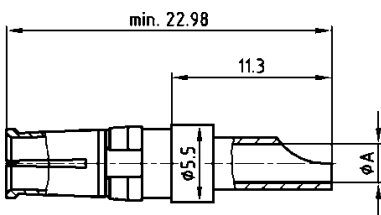
### SOCKET CONTACT

AWG	Quality class	Part Number gold plated
16..20	1	132C10019X
16..20	3	132A10019X
12..14	1	132C10029X
12..14	3	132A10029X
10..12	1	132C10039X
10..12	3	132A10039X
8..10	1	132C10049X
8..10	3	132A10049X

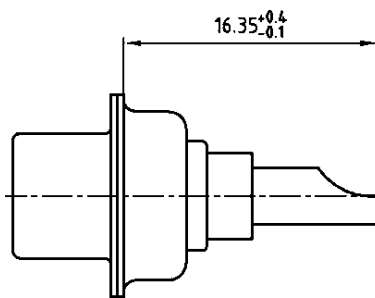
### PLUG CONTACT

AWG	Quality class	Part Number gold plated
16..20	1	131C10019X
16..20	3	131A10019X
12..14	1	131C10029X
12..14	3	131A10029X
10..12	1	131C10039X
10..12	3	131A10039X
8..10	1	131C10049X
8..10	3	131A10049X

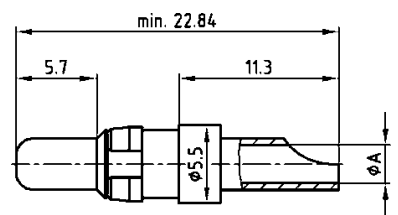
SOCKET CONTACT



INSTALLATION DIMENSION

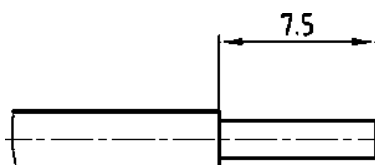


PLUG CONTACT

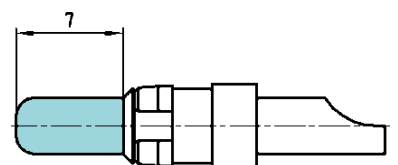


AWG	Current rating	ØA+0.15
16-20	10A	1.80
12-14	20A	2.70
10-12	30A	3.50
8-10	40A	4.80

WIRE STRIPPING



PREMATING CONTACT



### MIXED LAYOUT, CRIMP CONTACTS, STRAIGHT



- For wire size 20-24 and 26-28
- Quality Class 3: 50 mating cycles
- Quality Class 1: 500 mating cycles

#### SOCKET CONTACT

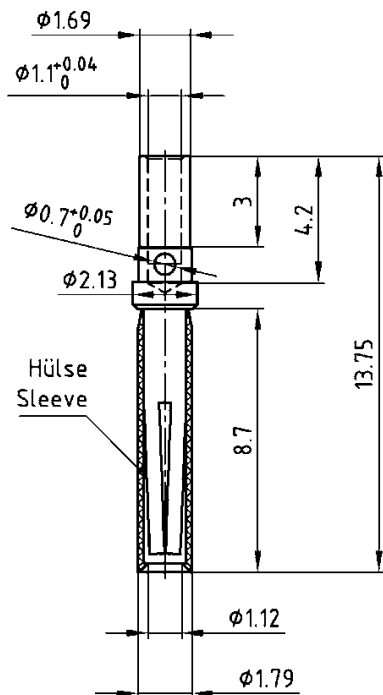
Contact type	AWG	Quality class	Part Number
Socket*/Closed entry	20..24	1	132C15019X
Socket*/Closed entry	26..28	1	132C15029X
Socket/Standard	20..24	3	162A18709X
Socket/Standard	26..28	3	162A18719X

\* Preferred Type

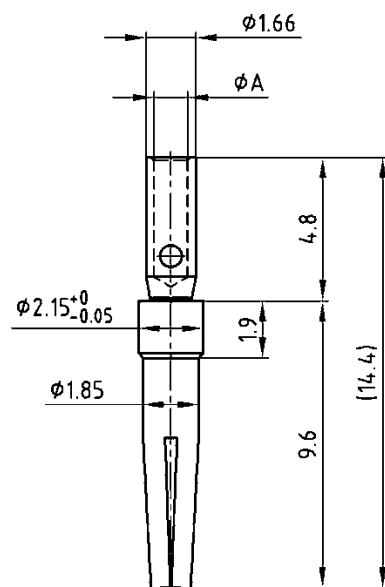
#### PLUG CONTACT

Contact type	AWG	Quality class	Part Number
Plug/Standard	20..24	1	131C15019X
Plug/Standard	26..28	1	131C15029X
Plug/Standard	20..24	3	131A15019X
Plug/Standard	26..28	3	131A15029X

SIGNAL SOCKET CRIMP CONTACT  
(Closed entry version)



SIGNAL SOCKET CRIMP CONTACT  
(Standard version)



SIGNAL PLUG CRIMP CONTACT  
(Standard version)

